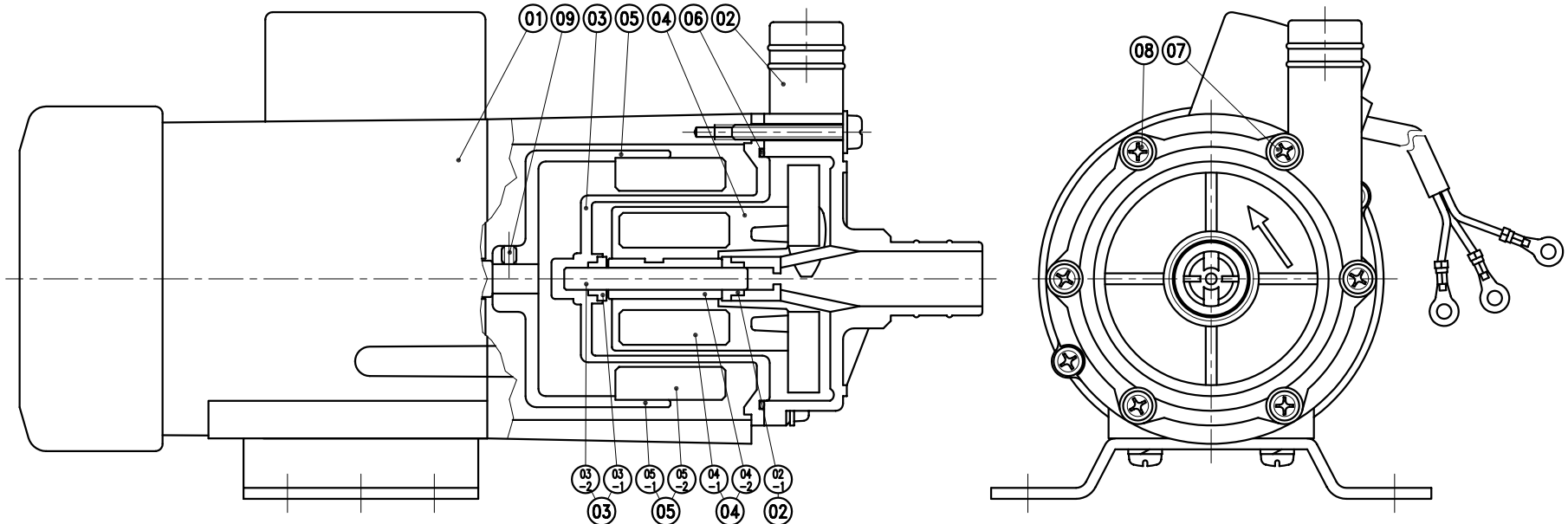



03-1	REAR THRUST PAD	1	ETFE			05	OUTER DRIVE RING	1		ø70X63.5	P2509196	09	SET SCREW	2	S435	M4X5	P9119420			
03	REAR CASING	1	ETFE	ø80X59.5	P2309046	04-2	BEARING	1	SIC	ø11X31	A2469157	08	SCREW,CROSS RECESS HEAD w/t P.W.(ø8Xø4.3Xt0.8)	4	SUS304	M4X15	A9111026			
02-1	FRONT THRUST PAD	1	SIC	ø10Xø6X6	P2229119	04-1	INNER MAGNET	1	FERRITE	ø36Xø17X30	P2449487	07	SCREW,CROSS RECESS HEAD w/t P.W.(ø8Xø4.3Xt0.8)	2	SUS304	M4X30	A9111026			
02	FRONT CASING	1	RULON	ø12Xø6X6	P2229765	04	IMPELLER ASS'Y	1	ETFE	ø62X57.5	P2401042	06	O. RING	1	FKM	ø66.5Xø2	S67			
01	MOTOR		ETFE	ø80X59.5	P2211041	03-2	SPINDLE	1	SIC	ø6X50	P2339480	05-2	OUTER MAGNET	1	FERRITE	ø66X30	P2529488			
					100~120V,200~240V , 65W,1ø,2P										05-1	MAGNET HOUSING	1	ADC-12	ø70X48.5	P2519003
NO	PART NAME	Q'TY	MATERIAL	NOTE	DWG. NO.	NO	PART NAME	Q'TY	MATERIAL	NOTE	DWG. NO.	NO	PART NAME	Q'TY	MATERIAL	NOTE	DWG. NO.			



G : 3/4"X 3/4"
NPT : 3/4"X 3/4"

APPROVED		MDL. NAME	NH-100PX-F		
UNIT	MM	CHECK	07 12 02	DWG. NAME	CONSTRUCTION DRAWING
SCALE	4:5	DESIGN	06 16 98	DWG. NO.	B2101920
EDITION	2	DR.BY	07 12 02 BECKY		A3
TPW HONG YUAN		 PAN WORLD CO.,LTD. パンワールド 株式会社			