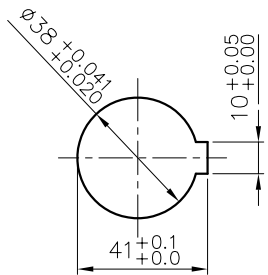
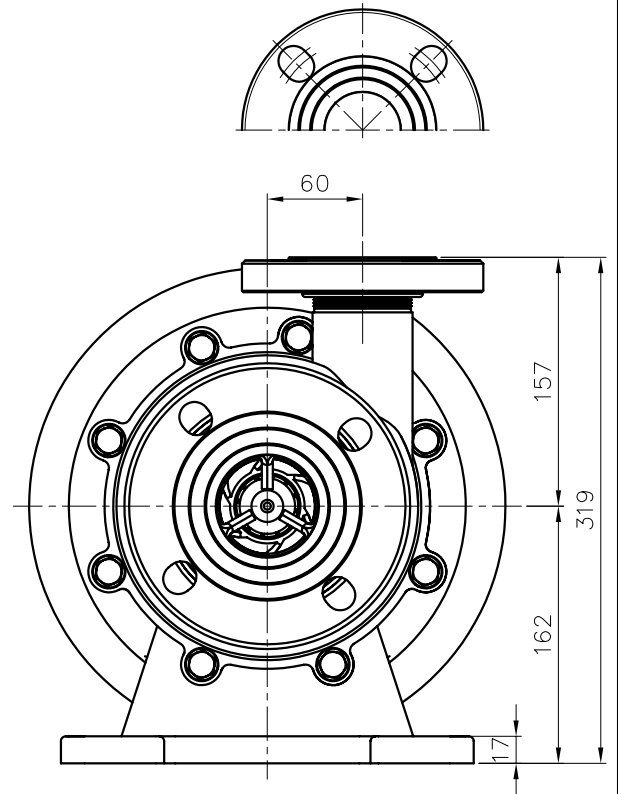
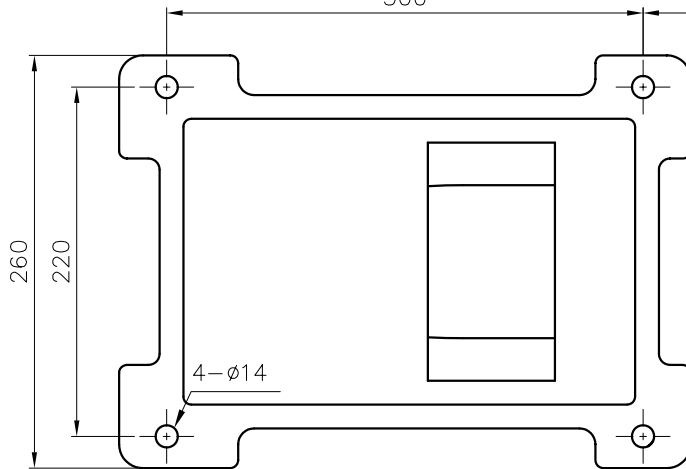
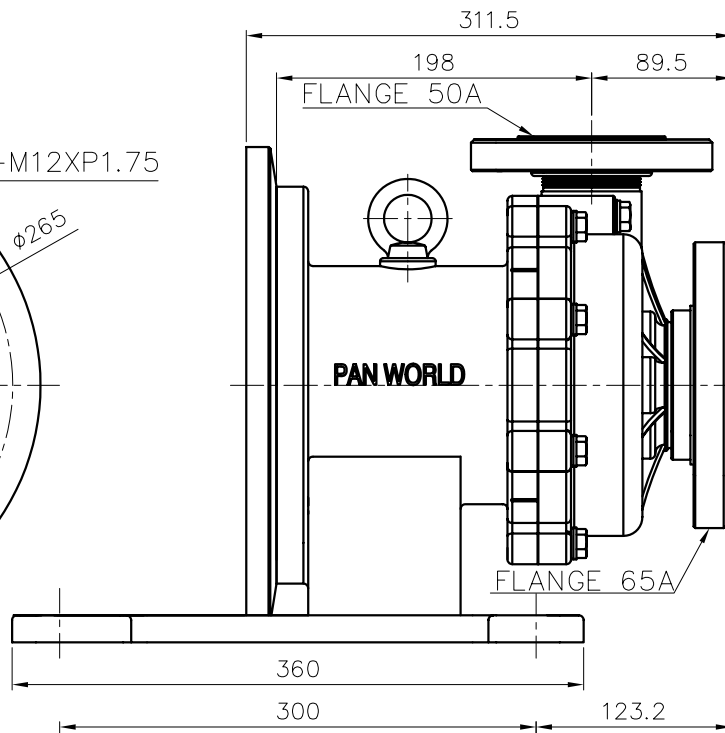


(L=80)



SCALE = 1:2

DIMENSION TOLERANCE : JIS 16 CLASS



APPROVED		MDL. NAME		NH-507PW	
UNIT	MM	CHECK	04 18 08	DWG. NAME	INSTALLATION DRAWING
SCALE	3:10	DESIGN	01 21 08	DWG. NO.	E1573835
EDITION	1	DR. BY	04 18 08 KELLY	A3	

TPW
HONG YUAN



PAN WORLD CO.,LTD.
パンワールド株式会社