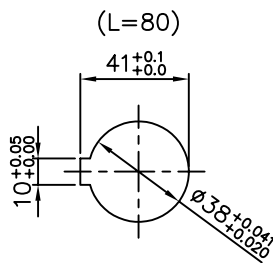
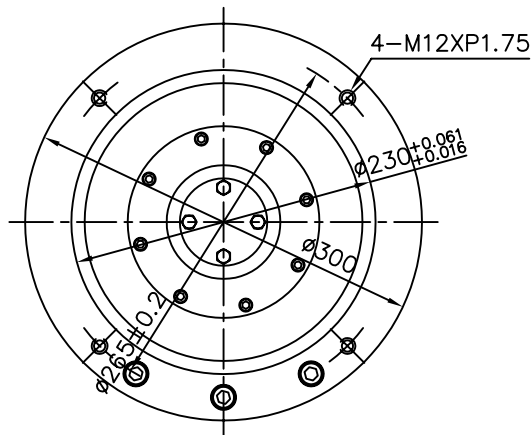
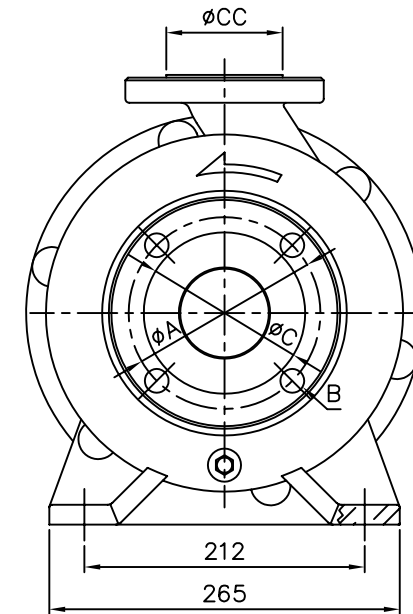
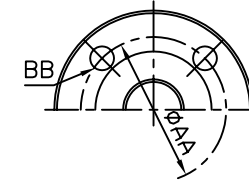
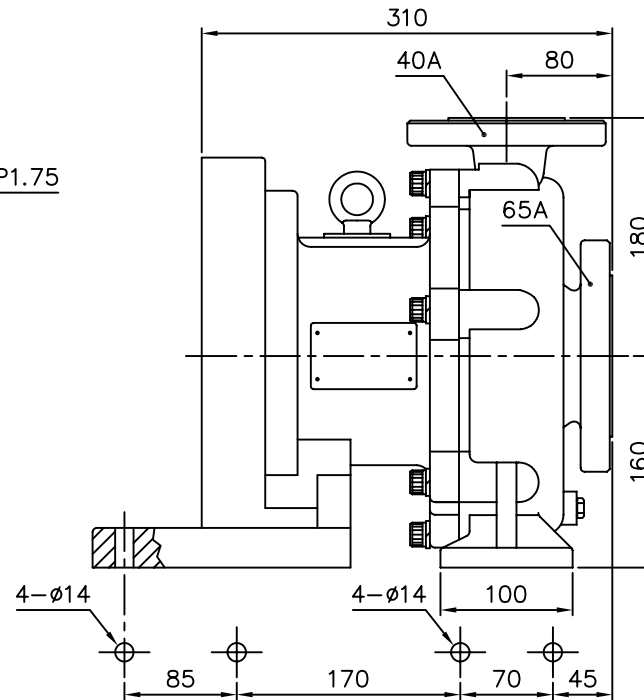


	Suction 65A			Discharge 40A		
	A	B	C	AA	BB	CC
JIS 16K	140	8- $\phi 19$	120	105	4- $\phi 19$	85
DIN PN 16	145	4- $\phi 18$	122	110	4- $\phi 18$	88



SCALE = 2:1



APPROVED	CHECK	11 01 02	MDL, NAME	NH-40-100PG	NH-40-160PG
				NH-40-120PG	(5.5kW)
UNIT	MM	DESIGN	01 16 02	DWG, NAME	
SCALE	1:4	DR.BY	11 01 02 BECKY	INSTALLATION DRAWING	
EDITION	1			DWG, NO.	B1406701
					A3

TPW
HONG YUAN



PAN WORLD CO.,LTD.
パンワールド株式会社