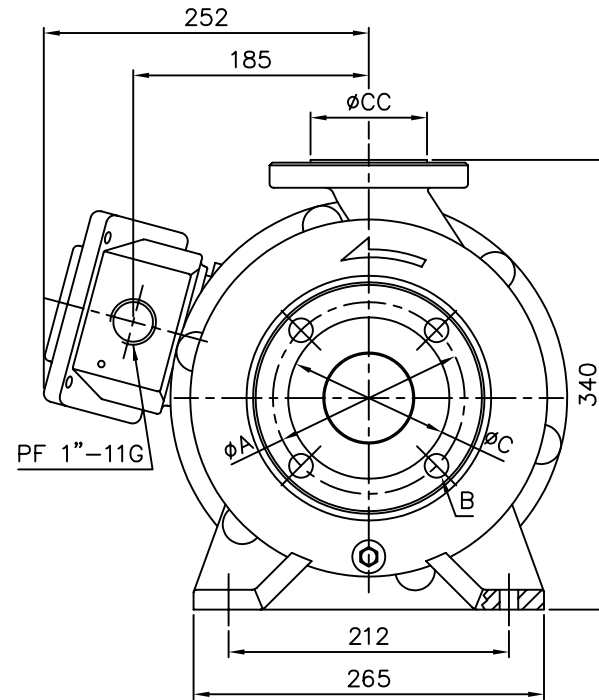
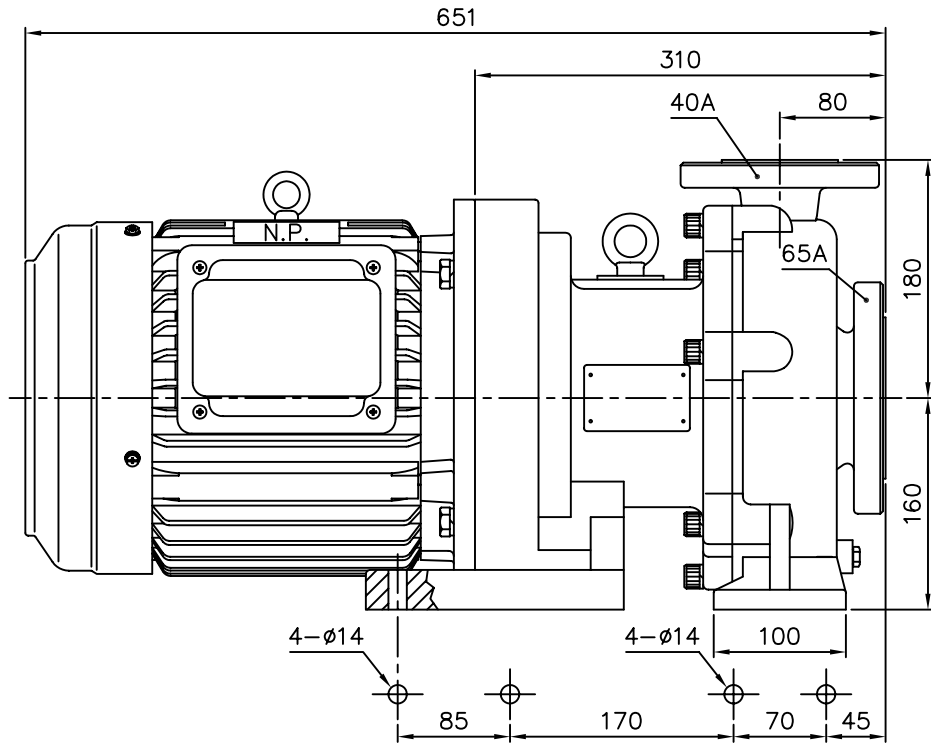
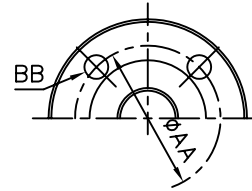


	Suction 65A			Discharge 40A		
	A	B	C	AA	BB	CC
JIS 16K	140	8- ϕ 19	120	105	4- ϕ 19	85
DIN PN 16	145	4- ϕ 18	122	110	4- ϕ 18	88



DIMENSION TOLERANCE : JIS 16 CLASS

		APPROVED		MDL, NAME		NH-40-100PG NH-40-120PG NH-40-140PG NH-40-160PG (5.5kW)	
UNIT	MM	CHECK	12 23 02	DWG, NAME		INSTALLATION DRAWING	
SCALE	1:4	DESIGN	11 16 00	DWG, NO.		B1406312	A3
EDITION	1	DR.BY	12 23 02 BECKY				
TPW HONG YUAN				 PAN WORLD CO.,LTD. パンワールド 株式会社			