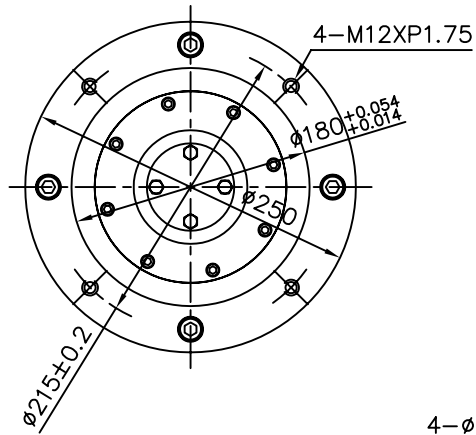
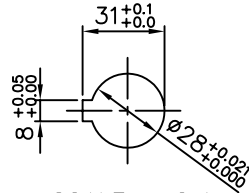


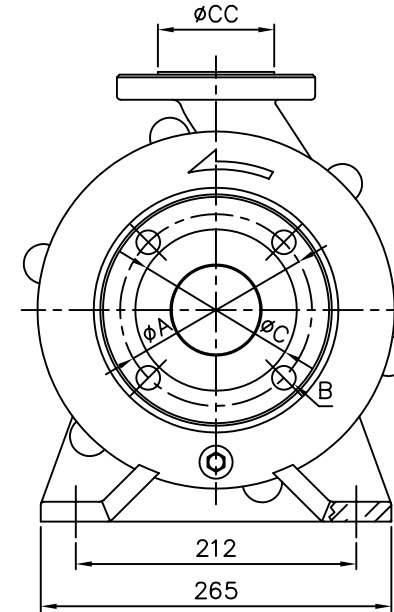
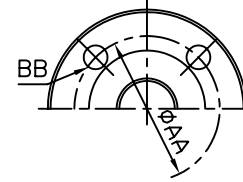
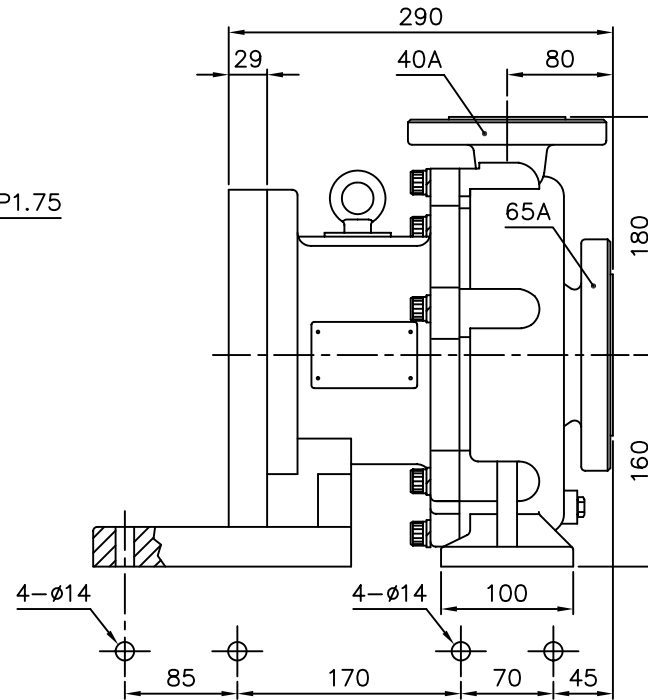
	Suction 65A			Discharge 40A		
	A	B	C	AA	BB	CC
JIS 16K	140	8- ϕ 19	120	105	4- ϕ 19	85
DIN PN 16	145	4- ϕ 18	122	110	4- ϕ 18	88



(L=60)



SCALE = 2:1



		APPROVED		MDL, NAME	NH-40-100PG NH-40-120PG NH-40-140PG	(3.7kW)
UNIT	MM	CHECK	11 01 02	DWG, NAME	INSTALLATION DRAWING	
SCALE	1:4	DESIGN	01 16 02	DWG, NO.	B1406700	A3
EDITION	1	DR.BY	11 01 02 BECKY			
TPW HONG YUAN		PAN WORLD CO.,LTD. パンワールド株式会社				