

Table 1.

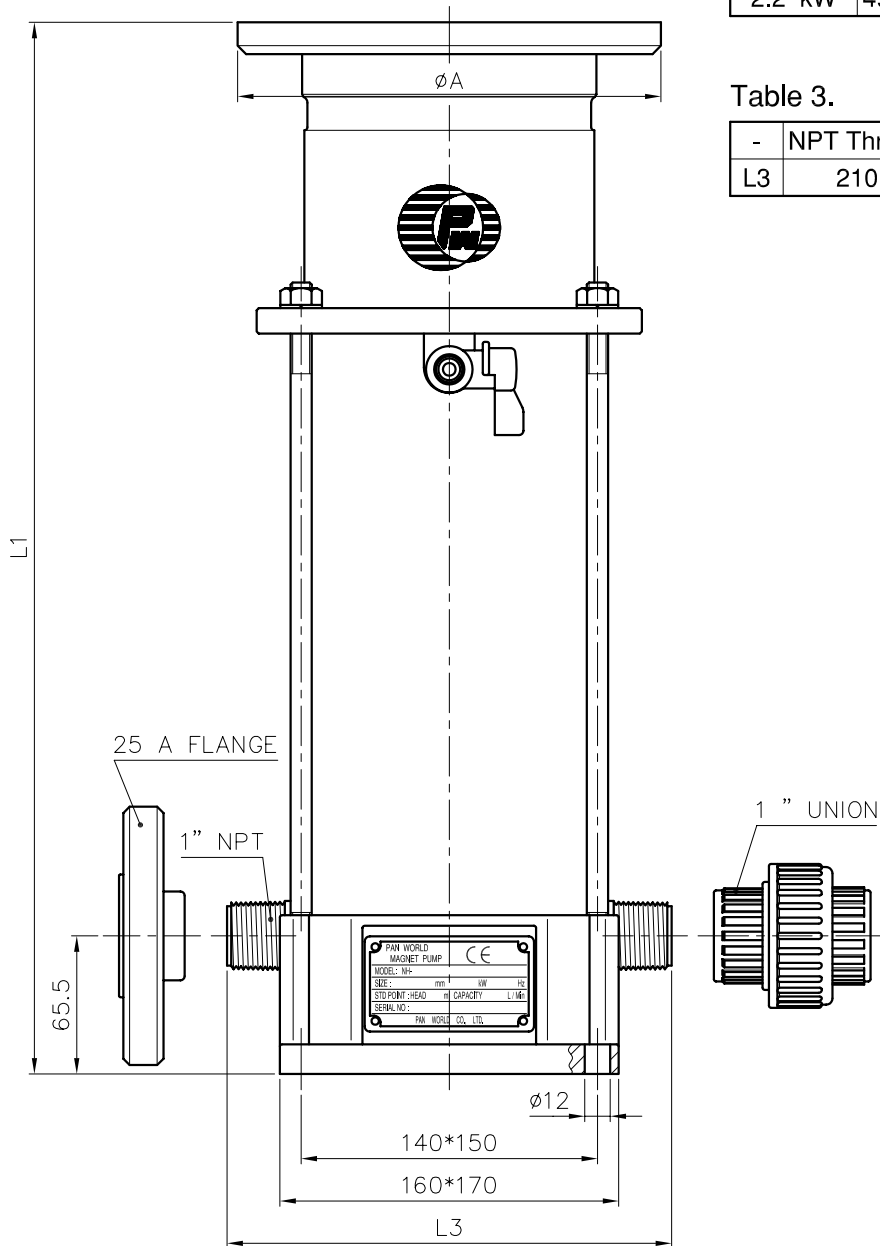
Required Motor	d	h	w
0.37 kW	*	*	*
0.75 kW	*	*	*
1.5 kW	*	*	*
2.2 kW	24 ^{+0.028} _{+0.007}	27 ^{+0.1} _{+0.0}	8 ^{+0.05} _{+0.00}

Table 2.

Required Motor	L1	A	B	C
0.37 kW	*	*	*	*
0.75 kW	*	*	*	*
1.5 kW	*	*	*	*
2.2 kW	497.5	200	165	130

Table 3.

-	NPT Thread	Union	Flange
L3	210	275	232



APPROVED		MDL, NAME		NH-250PMV-9	
UNIT	MM	CHECK	08 22 05	NH-250PMV-F-9	
SCALE	2:5	DESIGN	08 22 05	DWG, NAME	
EDITION	1	DR.BY	08 22 05 BECKY	INSTALLATION DRAWING	
			DWG, NO.	E1258498	A3
TPW HONG YUAN			PAN WORLD CO.,LTD. パンワールド株式会社		

DIMENSION TOLERANCE : JIS 16 CLASS